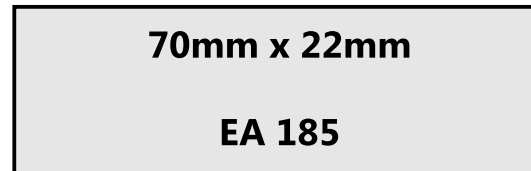
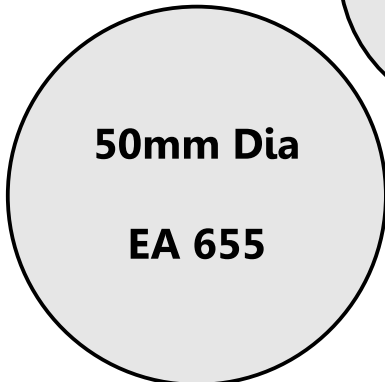
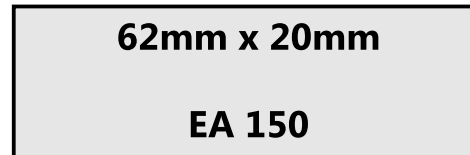
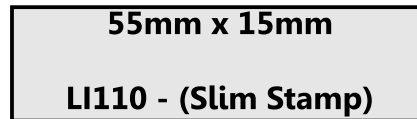
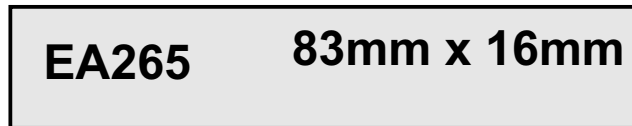
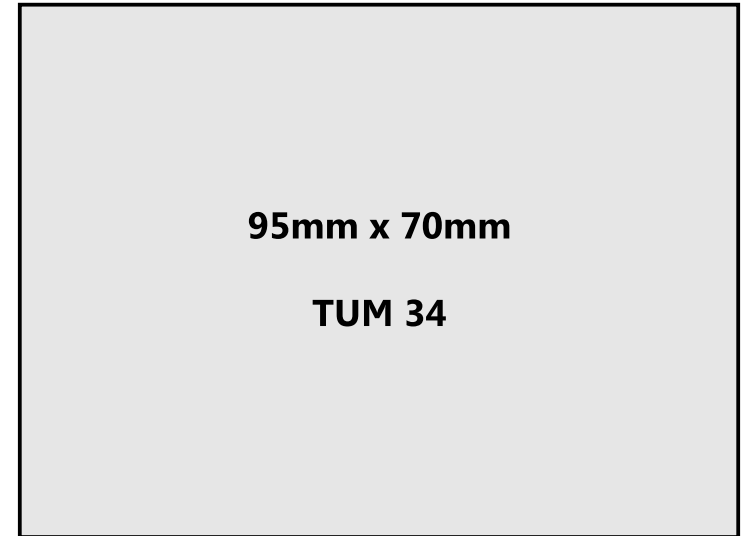
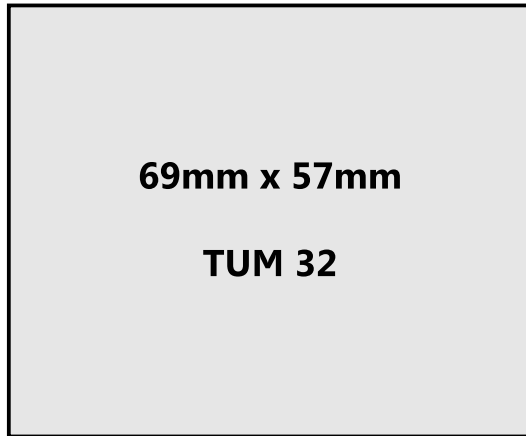


TUM = Trodat Ultimark EA = Shiny Premier



Inks for the Pre Inked Stamps:

Shiny Eminent Ink: (Shiny EA Stamps)	Ultimark Ink: (Suitable for TUM Stamp)
15mls - \$22.50 each 55mls - \$52.50 each	59mls - \$52.50 each
Available in Black, Red, Blue, Green & Violet	Available in Black, Red and Blue

CM CUSTOM MADE STAMPS

ABN: 25 612 152 011

Engraving, Trophies & Giftware

Website: www.custommadestamps.com.au
EMAIL: sales@custommadestamps.com.au
Unit 3/6 Virginia St, Geebung Qld 4034
Postal Address: PO Box 233
Geebung Qld 4034

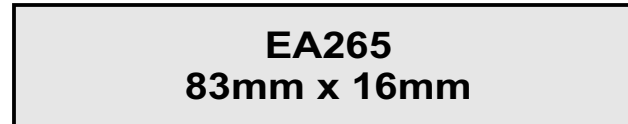
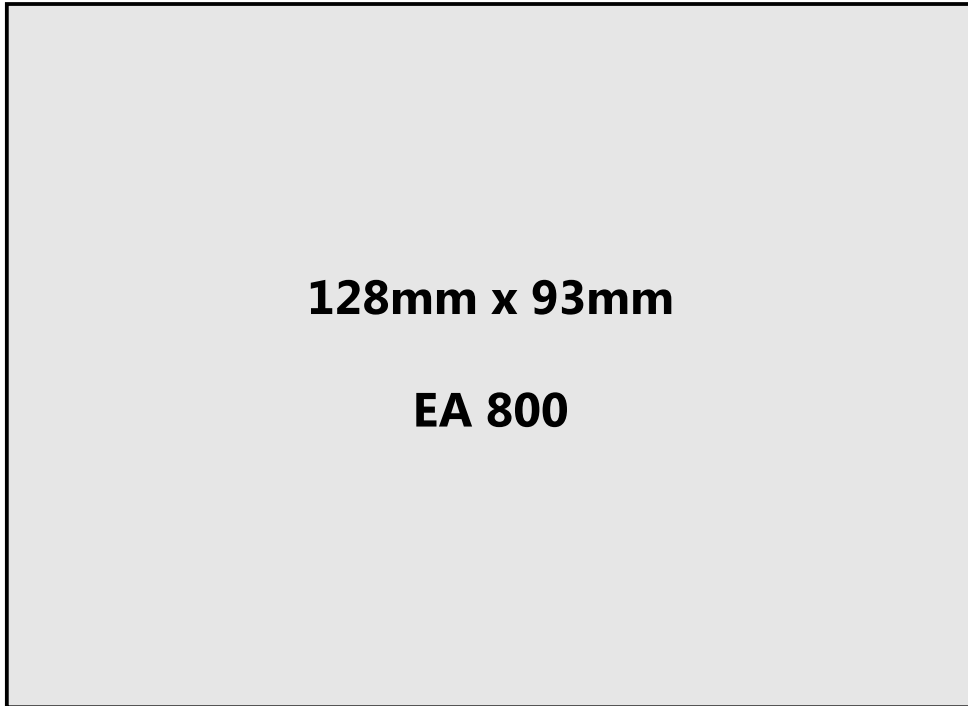
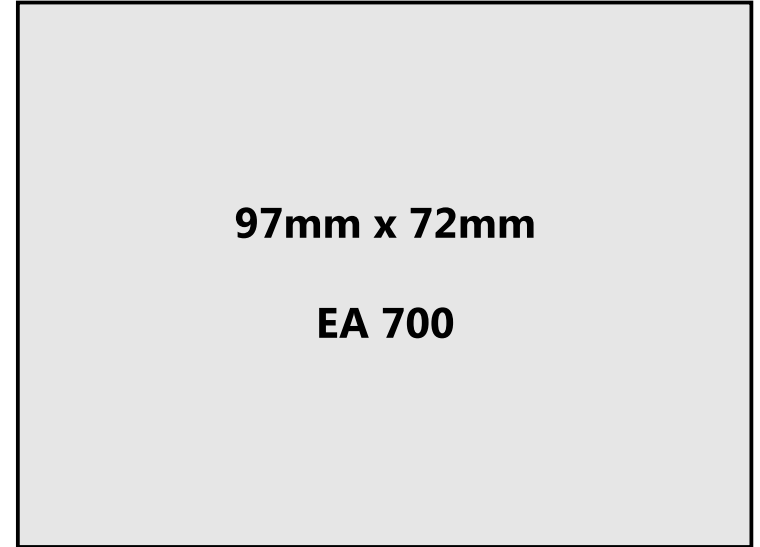
Ph: 07 3865 8066

PRE INKED STAMP SIZE GUIDE

Stamp size displayed to scale. Print A4 @100%

TUM = Trodat Ultimark

EA = Shiny Premier



Inks for the Pre Inked Stamps:

Shiny Eminent Ink:
(Shiny EA Stamps)

15mls - \$22.50 each 55mls - \$52.50 each
Available in Black, Red, Blue, Green & Violet

Ultimark Ink:

(Suitable for TUM Stamp)

59mls - \$52.50 each
Available in Black, Red and Blue